

DG SERIES 7-40W LED DOWNLIGHT



DG & DGT series are the rotatable recessed downlight with super anti-glare. The lowest UGR can be 9, which is very popular with high-end hotels.

-- Patent Design!

Rotatable angle of illumination

The maximum rotation angle is 30 degrees, Rotation lifespan is more than 200 times, UGR<10

Support almost all the famous Light source and Driver

Perfectly compatible with the same light fixture, same size with different light source and different driver

Completely free solder assembling

Replace any accessories perfectly without any damages, no need soldering tools

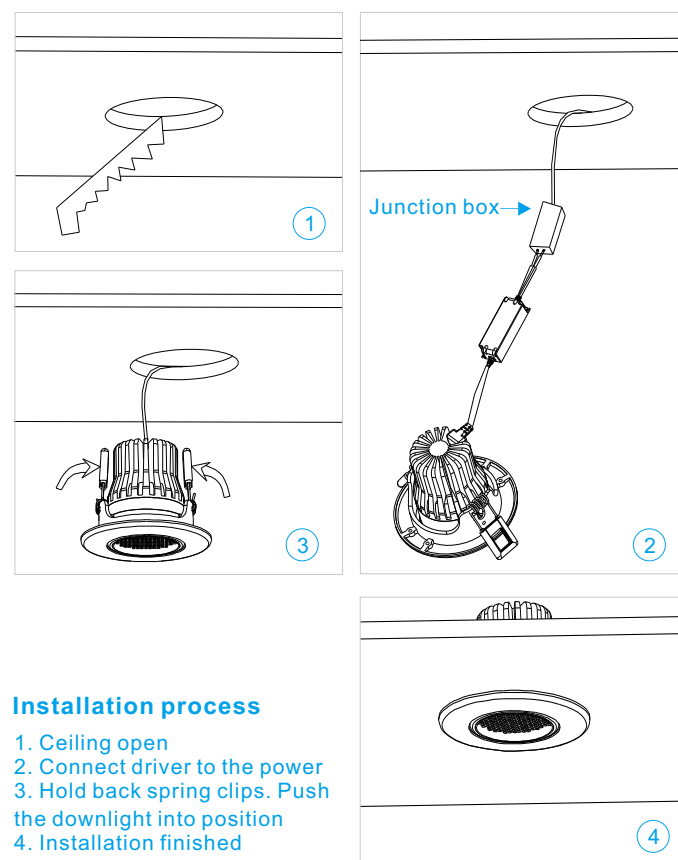
Narrow beam angle 15-20 deg, can be used for wall washing effect.

High CRI, High lumens, Low decay LED (L-80)

Basic characteristic: 150lm/w under CRI>90 & 3000K

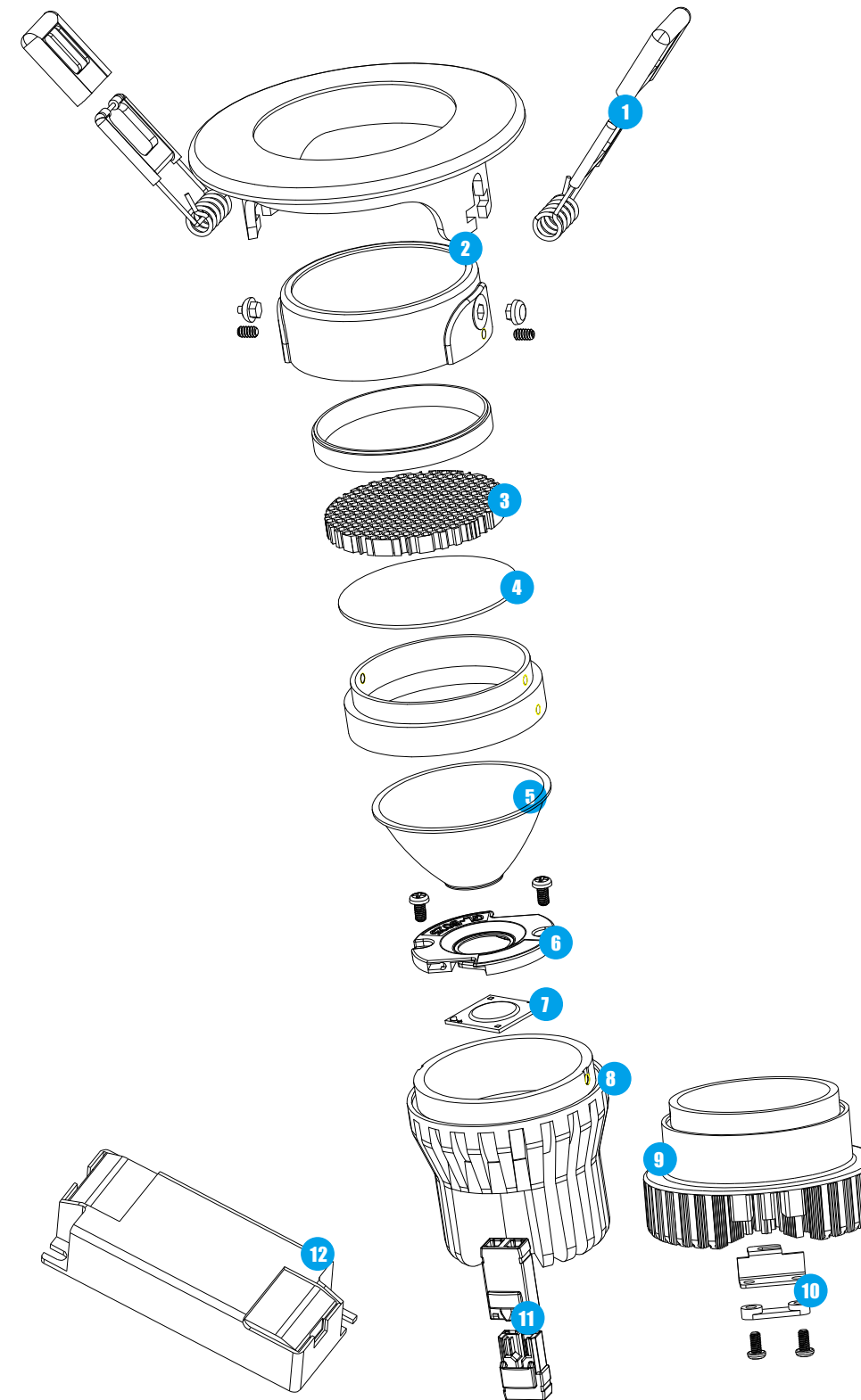
Flicker free driver & 5 years warranty for whole lamp

Support Triac dim, 1-10V dim, DALI dim, DMX dim, 2.4 G dim, warm dim, etc



11 DC connector with anti-pull-off design. Not only beautiful and practical but also meet all certificates standards.

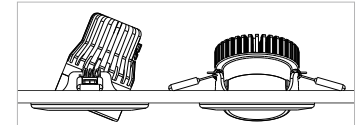
1. Press the rocker switch with one thumb.
2. Pull the DC cable upward with fingers while pushing the radiator downward with another thumb.
3. Separated.



1 High-performance spring has passed salt spray test, corrosion resistance test, and anti-decay, ensure no deformation in 10 years. Glass with high transmittance. Full tempered type will not endanger your safety even if it is broken.



2 Rotation with special axle design. The maximum adjustable angle is around 30 degree and rotation lifespan is over 200 times.



3 Super anti-glare with honeycomb design. Super low UGR<10

5 Optical reflective cup with narrow beam angle has wall washing effect.



6 Light source connector with free soldering design, which can help to replace LED easily and support different brands of LED.

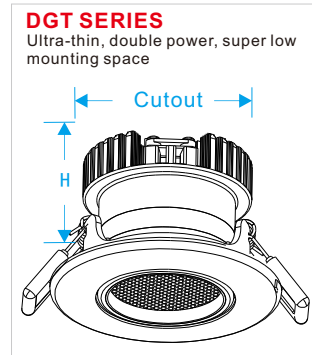
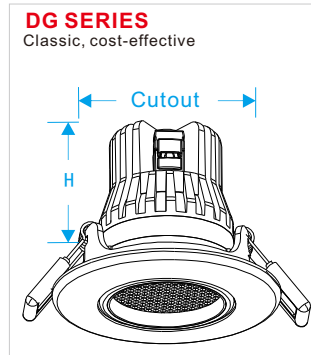
7 High quality LED (LM-80) with ceramic substrate.

8 Two kinds of radiator. High performance & Cost effective



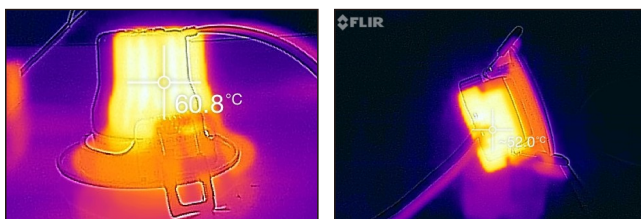
10 Anti-pull-off connector can ensure the cable will not be pulled out from lamp body by external force.

12 Flicker free driver with 5 years warranty and almost all certificates. Other famous drivers are available.



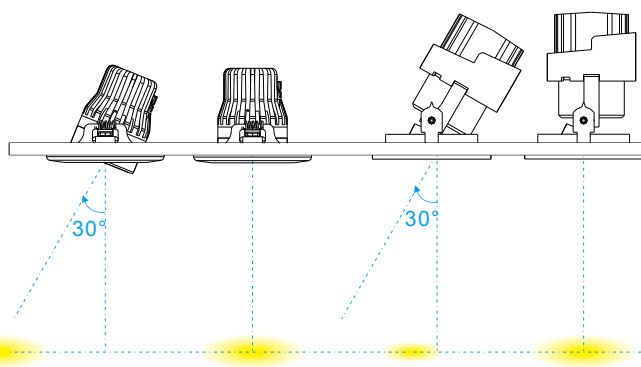
Two kind design of radiator: Standard Die-casting radiator (DG series downlight) & Pure aluminum lower height but high power Cold forging radiator (DGT series downlight)

Eg: 75mm cutting downlight **DGT1275S**, the lowest installation height is **58mm**, and the max power can be 12W.

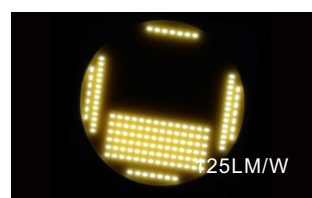
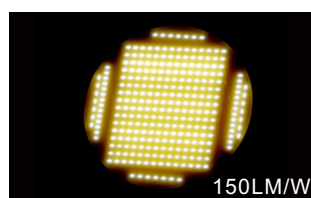


Different from the other common anti-glare lamps.

Mostly, the lamp is anti-glare by changing the shielding angle, but it can not change the direction of lighting. Ours are not only anti-glare but make the direction of lighting more flexible.



Self-design BESUN COB LED with Epistar chip, ceramic PCB and pure gold thread, which has features of high light efficiency, high CRI, high stability, low light decay, low SDCM, etc. The most representative feature of BESUN COB LED: 150lm/W under CRI>90, R9>50 & 3000K, and the highest CRI can be CRI>97. Also, even if half of the chips don't work, just less than 20% reduction in luminous efficiency.



Support Triac dim, 1-10V dim, Dali dim, DMX dim, 2.4G dim, Perfectly compatible with almost all famous light source & driver: Philips, CREE, CITIZEN, Tridonic, Osram, Lifud, Eagleise, Meanwell, etc.



Application:

Widely used as indoor main illumination lighting in hotel, restaurant, library, museum, exhibition, High-end clubs, etc.



Remark: " H " means mounting height

Cutting size	75-85mm	95-110mm	125-140mm	145-170mm
	DG0775S Power:7W Size:96*H74 DGT1275S Power:12W Size:96*H58	DG1295S Power:12W Size:120*H89 DGT2095S Power:20W Size:120*H79	DG20125S Power:20W Size:150*H100 DGT30125S Power:30W Size:150*H85	DG30145S Power:30W Size:180*H115 DGT40145S Power:40W Size:180*H102

CCT: 2700K,3000K,4000K,5000K,6000K;
CRI: CRI>90,R9>50/CRI>97,R9>95

UGR<10

Item No.	Power (W)	Size (mm)	Illumination	N. W.	Packing	Beam angle
DG0775S	7W total 8W	96*H74 75-85 (hole)	300-400lm	0.4kg	45*45*37CM 48pcs	20°
DGT1275S	12W total 13W	96*H58 75-85 (hole)	600-800lm	0.4kg	45*45*37CM 48pcs	15°
DG1295S	12W total 13W	120*H89 95-110 (hole)	600-800lm	0.5kg	53*40*41CM 36pcs	15°
DGT2095S	20W total 22W	120*H79 95-110 (hole)	900-1400lm	0.6kg	53*40*41CM 36pcs	15°
DG20125S	20W total 22W	150*H100 125-140 (hole)	900-1400lm	0.9kg	49*49*33CM 18pcs	20°
DGT30125S	30W total 32W	150*H85 125-140 (hole)	1600-2000lm	0.9kg	49*49*33CM 18pcs	20°
DG30145S	30W total 32W	180*H115 145-170 (hole)	1600-2000lm	1.3kg	39*77*32CM 16pcs	15°
DGT40145S	40W total 42W	180*H102 145-170 (hole)	2000-2400lm	1.3kg	39*39*51CM 16pcs	15°
Input voltage	AC200-240V/AC100-277V					

CCT	Power	7W	12W	20W	30W	40W
2700K	LM	300	650	900	1650	2000
3000K	LM	350	700	1100	1800	2200
4000K	LM	400	750	1300	1950	2300
5000K	LM	450	800	1450	2050	2400

3000K CRI>90

