

2x10W COB LED TRACK LIGHT

360° rotatable



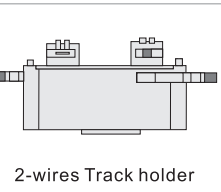
Features:

High color rendering, uniform luminance, spot, no dark space. It is different from lighting effects of general LED DOWNLIGHT in the market, substitute to the traditional lamp completely, and no maladjustment.


Application:

Products are widely used as indoor main illumination lighting in the office, commercial center, shopping mall, supermarket, factory, etc.

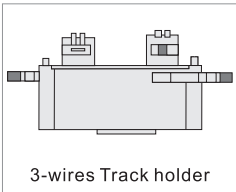
T1021D




2-wires Track holder



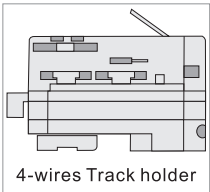
T1031D



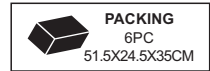
3-wires Track holder

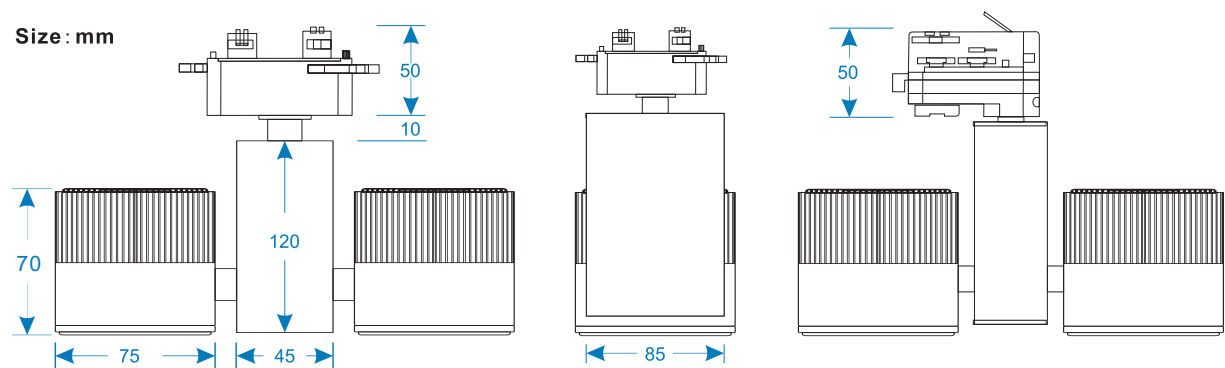


T1043D



4-wires Track holder



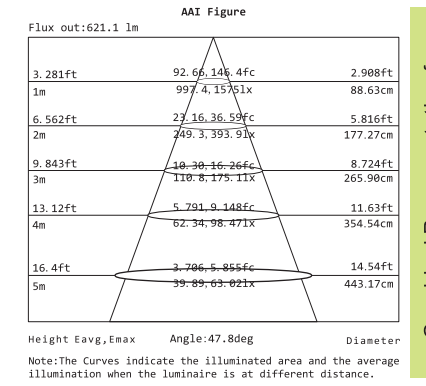


| Lamp Parameters : | Standard | Super-bright |
|-----------------------|----------------------------|---------------|
| Input Voltage | AC100-277V or AC200-240V | |
| Frequency Range | 50Hz~60Hz | |
| Led Consumption | 20W | |
| System Consumption | 23W | |
| Led Initial Flux | 1800-2200LM | 2300LM-2700LM |
| Color Rendering Index | >80 | |
| Working Temperature | -40°C ~ +55°C | |
| Fireproof Class | V0 | |
| Track light holder | 2-wires, 3-wires, 4-wires, | |
| Color of housing | black,white,silver | |
| Certificate | CE ROHS ERP V0 FCC | |
| Optical data: | IES | |

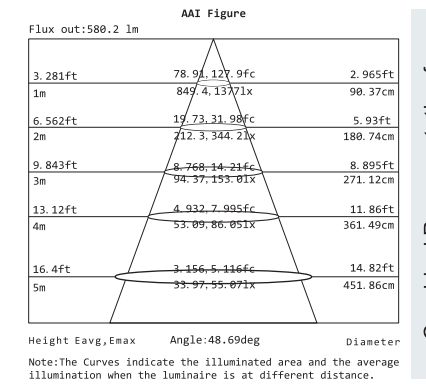
| Driver Parameters : | |
|---------------------|---|
| Brand | Lifud |
| Input | AC100-277V or AC200-240V |
| Output | 27-42VDC,350mA |
| Power Factor | 0.9-0.97 |
| Power Efficiency | 87% |
| Certificate | UL,FCC,CE,SAA,PSE,CQC,TUV UL Certificate Number:E338140 SAA Certificate Number:TUV16071EA |
| Dimmable | Triac / dali |

MEANWELL: PLD-16-350 is optional

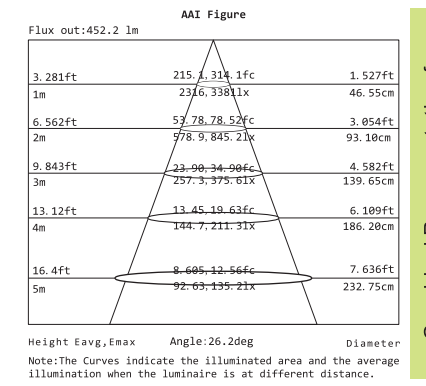
| Model No. | Beam angle | CRI | CCT | Illumination | Illumination (S) | Input Voltage(V) |
|----------------------------|------------|-----|-------|--------------|------------------|--------------------------|
| T1021D T1031D T1043D | 30°/50° | >80 | 3000K | 1800LM | 2300LM | AC100-277V AC200-240V |
| | | | 4000K | 1900LM | 2500LM | |
| | | | 6000K | 2200LM | 2700LM | |



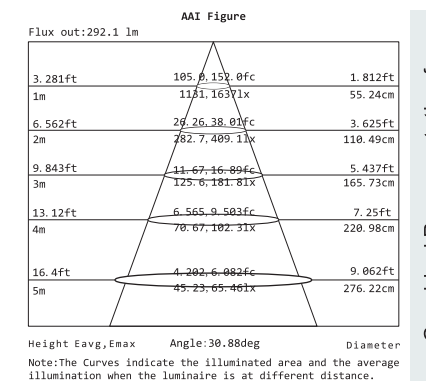
Graphical Representation for D1095 WW 50° (S)



Graphical Representation for D1095 NW 50°



Graphical Representation for D1095 NW 30° (S)



Graphical Representation for D1095 WW 30°