

# 50W COB LED TRACK LIGHT

360° rotatable



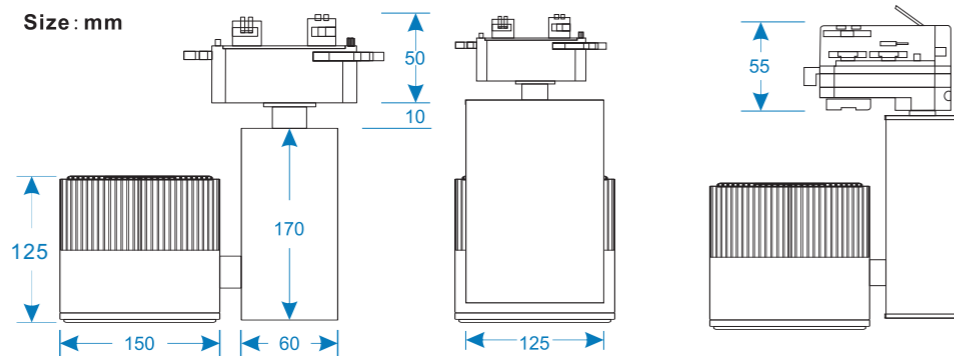
### Features:

High color rendering, uniform luminance, no light spot, no dark space. It was different from the lighting effects of general LED DOWNLIGHT in the market, substitute to the traditional lamp completely, and no maladjustment.

### Application:

Products are widely used as indoor main illumination lighting in the office, commercial center, shopping mall, supermarket, factory, etc.

T5021	T5031	T5043
2-wires Track holder	3-wires Track holder	4-wires Track holder
NETWEIGHT 2KG	PACKING 1PC 25.5X29.5X17.5CM	PACKING 4PC 50.5X30.5X37CM



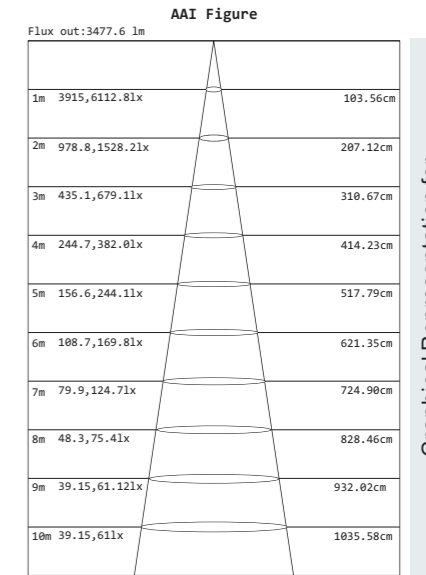
### Lamp Parameters :

	Standard	Super-bright
Input Voltage	AC100-277V or AC200-240V	
Frequency Range	50Hz~60Hz	
Led Consumption	50W	
System Consumption	55W	
Led Initial Flux	4600-4800LM	5600-6400LM
Color Rendering Index	>80	
Working Temperature	-40°C ~ +55°C	
Fireproof Class	V0	
Track light holder	2-wires, 3-wires, 4-wires,	
Color of housing	black,white,silver	
Certificate	CE ROHS ERP V0 FCC	
Optical data:	IES	

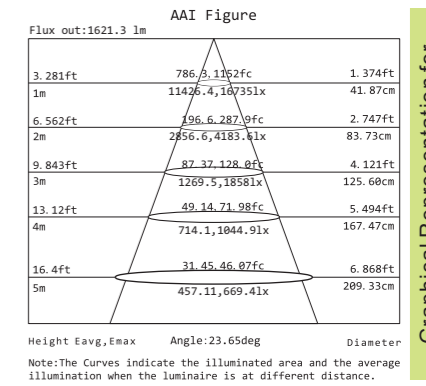
### Driver Parameters :

Brand	Lifud
Input	AC100-277V or AC200-240V
Output	DC27-42V, 1200mA
Power Factor	0.9-0.96
Power Efficiency	87%
Certificate	UL, FCC, CE, SAA, PSE, CQC, TUV UL Certificate Number: E338140 SAA Certificate Number: TUV16071EA
Dimmable	Triac / dali
MWANWELL: PLD-60-1400 is optional	

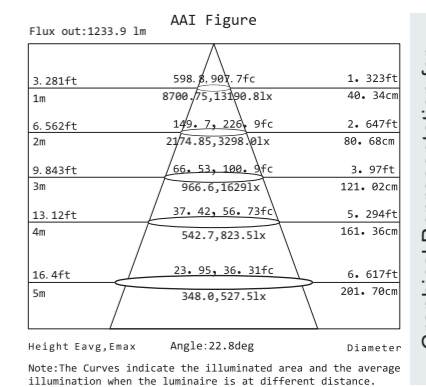
Model No.	Beam angle	CRI	CCT	Illumination	Illumination (S)	Input Voltage(V)
T5021	25°/55°	>80	3000K	4600LM	5600LM	AC100-277V AC200-240V
T5031			4000K	4700LM	6100LM	
T5043			6000K	4900LM	6400LM	



Graphical Representation for T5043WW 55°



Graphical Representation for T5043NW 25° (S)



Graphical Representation for T5043WW 25°