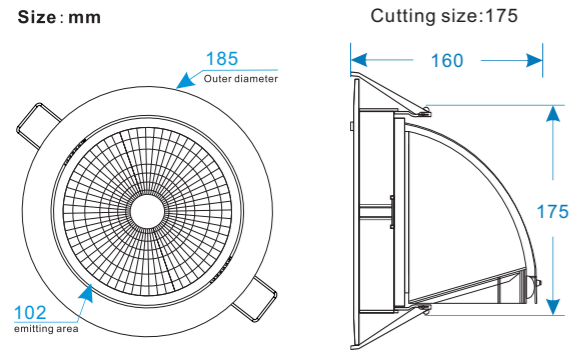


20W COB LED GIMBAL LIGHT

90°rotatable



G20175

NETWEIGHT 1.8KG	CUTTINGSIZE 175MM	PACKING 1 PC 20.5X20.5X19.5CM	PACKING 8PC 43X43X42CM
--------------------	----------------------	-------------------------------------	------------------------------

Features:

High color rendering, uniform luminance, no light spot, no dark space. It was different from the lighting effects of general LED DOWNLIGHT in the market, substitute to the traditional lamp completely, and no maladjustment.

Application:

Products are widely used as indoor main illumination lighting in the office, commercial center, shopping mall, supermarket, factory, etc.



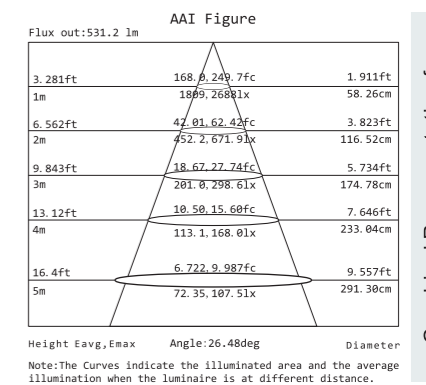
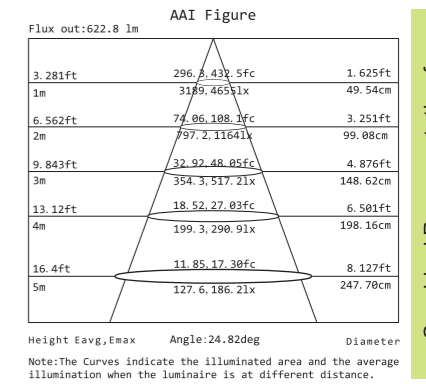
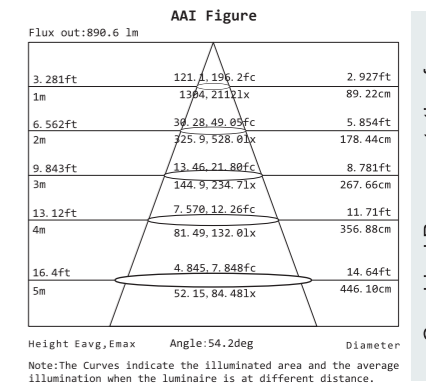
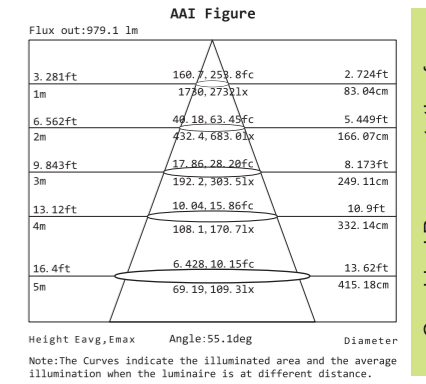
Lamp Parameters :	Standard	Super-bright
Input Voltage	AC100V-277V or AC200-240V	
Frequency Range	50Hz~60Hz	
Led Consumption	20W	
System Consumption	23W	
Led Initial Flux	1650-1900LM	2200-2600LM
Color Rendering Index	>80	
Working Temperature	-40°C ~ +55°C	
Fireproof Class	V0	
Power cable	2x0.75mm ²	
Color of housing	white	
Certificate	CE ROHS ERP V0 FCC	
Optical data:	IES	

Driver Parameters :

Brand	Lifud
Input	AC100V-277V or AC200-240V
Output	DC27-42V, 500mA
Power Factor	0.9-0.97
Power Efficiency	87%
Certificate	UL, FCC, CE, SAA, PSE, CQC, TUV UL Certificate Number: E338140 SAA Certificate Number: TUV16071EA
Dimmable	Triac / dali / 1-10V / WIFI

MWANWELL: APC-25-500 is optional

Model No.	Beam angle	CRI	CCT	Illumination	Illumination (S)	Input Voltage(V)
G20175	25°/55°	>80	3000K	1650LM	2200LM	100-277VAC 200-240VAC
			4000K	1850LM	2400LM	
			6000K	1900LM	2600LM	



Graphical Representation for G20175 WW 55° (S)

Graphical Representation for G20175 NW 50°

Graphical Representation for G20175 NW 25° (S)

Graphical Representation for G20175 WW 25°