



G SERIES 7-50W LED GIMBAL LIGHT



G series is recessed gimbal light with 360° rotation on horizontal and 90° adjustment on vertical. It is more flexible and effective on lighting compared with normal downlight

Adjustable direction of lighting

The most flexible lighting with horizontal 360° rotation + vertical 90° adjustment

Support almost all the famous Light source and Driver

Perfectly compatible with the same light fixture, same size with different light source and different driver

Completely free solder assembling

Replace any accessories perfectly without any damages, no need soldering tools

Perfect secondary optical design:

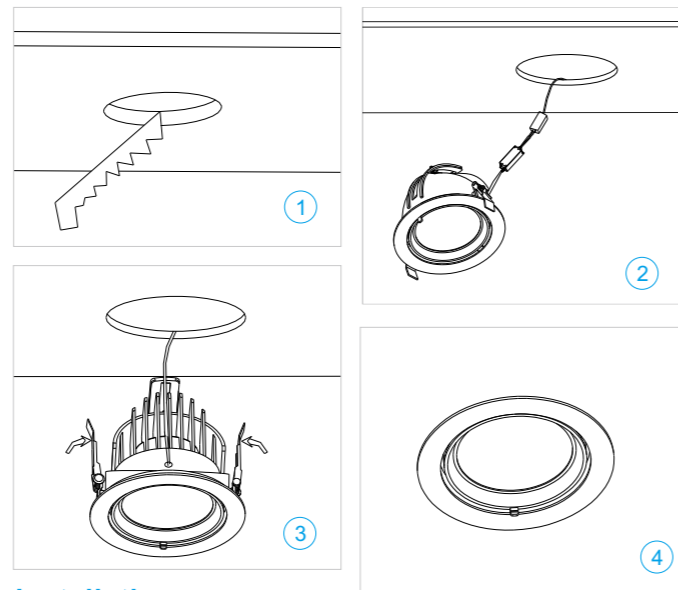
Optional beam angle: 8 - 110 deg, can be used for wall washing effect

High CRI, High lumens, Low decay LED (L-80)

Basic characteristic: 150lm/w under CRI>90 & 3000K

Flicker free driver & 5 years warranty for whole lamp

Support Triac dim, 1-10V dim, DALI dim, DMX dim, 2.4G dim, warm dim, etc.



Installation process

1. Ceiling open
2. Connect driver to the power
3. Hold back spring clips. Push the gimbal light into position
4. Installation finished





Application:

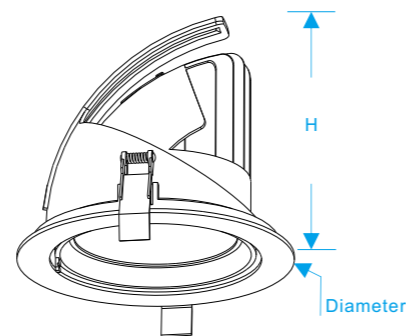
Widely used as indoor main illumination lighting in household, hotel, restaurant, shopping mall, bar, KTV, cabinet, office meeting room, library, museum, exhibition, etc.



7-30W with optical lens



40-50W with optical reflective cup



Cutting size	92-95mm	92-95mm	125-130mm	145-150mm	185-190mm	185-190mm
	G0795S Power:7W Size:102*H80	G1295S Power:12W Size:102*H80	G20125S Power:20W Size:140*H115	G30145S Power:30W Size:160*H130	G40185S Power:40W Size:200*H170	G50185S Power:50W Size:200*H170

CCT: 2700K,3000K,4000K,5000K,6000K;

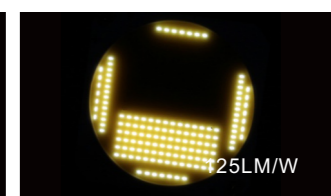
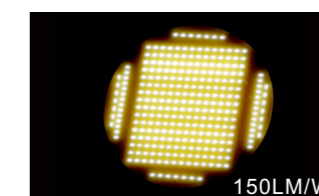
CRI: CRI>90,R9>50/CRI>97,R9>95

UGR<22

Item No.	Power(W)	Size(mm)	Illumination	N. W.	Packing	Beam angle	IP	Input voltage
G0795S	7W total 8W	102*H80 92-95 (hole)	600-950lm	0.4kg	44*34*41CM 36pcs	20° 25° 38°	IP33	AC100-277V & AC200-240V
G1295S	12W total 13W	102*H80 92-95 (hole)	1100-1400lm	0.4kg	44*34*41CM 36pcs	20° 25° 38°		
G20125S	20W total 22W	140*H115 125-130(hole)	1600-2500lm	0.8kg	49*49*33CM 18pcs	20° 25° 38°		
G30145S	30W total 32W	160*H130 145-150(hole)	2900-3600lm	1.1kg	53*36*34CM 12pcs	15° 25° 38°		
G40185S	40W total 42W	200*H170 185-190(hole)	3800-4500lm	1.6kg	43*43*42CM 8pcs	15° 38° 65° 110°		
G50185S	50W total 52W	200*H170 185-190(hole)	4800-5500lm	1.7kg	43*43*42CM 8pcs	15° 38° 65° 110°		

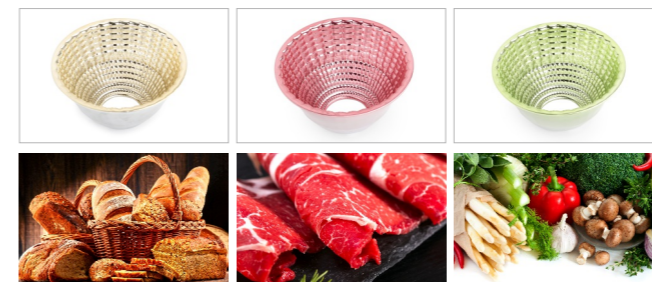


Self-design BESUN COB LED with Epistar chip, ceramic PCB and pure gold thread, which has features of high light efficiency, high CRI, high stability, low light decay, low SDCM, etc. The most representative feature of BESUN COB LED: 150lm/W under CRI>90, R9>50 & 3000K, and the highest CRI can be CRI>97. Also, even if half of the chips don't work, just less than 20% reduction in luminous efficiency.



Support lighting for food like meat, vegetables and bread, making the food more charming.

The specialized LED+Reflector of lamps for food display can highlight the freshness of food with the most appropriate lighting color, so that the food color under our lighting is closer to or even better than the real color itself. For example, baked food looks more crispy with the golden brown light, and meat looks more bright red with the pink light.



Support Triac dim, 1-10V dim, Dali dim, DMX dim, 2.4G dim, Perfectly compatible with almost all famous light source & driver: Philips, CREE, CITIZEN, Tridonic, Osram, Lifud, Eaglerise, Meanwell, etc.



Power 7-12W can be CCT adjustable from 2000K to 2800K by Triac dimmable. Lower CCT, low power & lumen will be lower relatively. And 2800K will be with highest luminous flux output.

Power 20-50W can be CCT adjustable from 2700K to 5700K, but power keep the same, and the brightness depends on current CCT only.